

## Skinny SK6812 RGB 144 LED strip



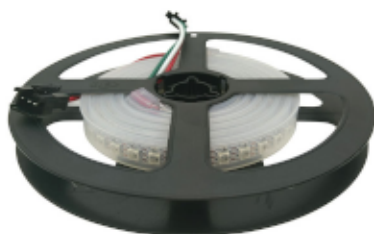
### Product Description

Addressable LED Strip has 144pcs SMD3535 RGB

Built in IC Chips

144 Pixels per meter, each single LED per unit and

cut-able The PCB is 1+2 Ounce copper



All the soldering Pads are very large

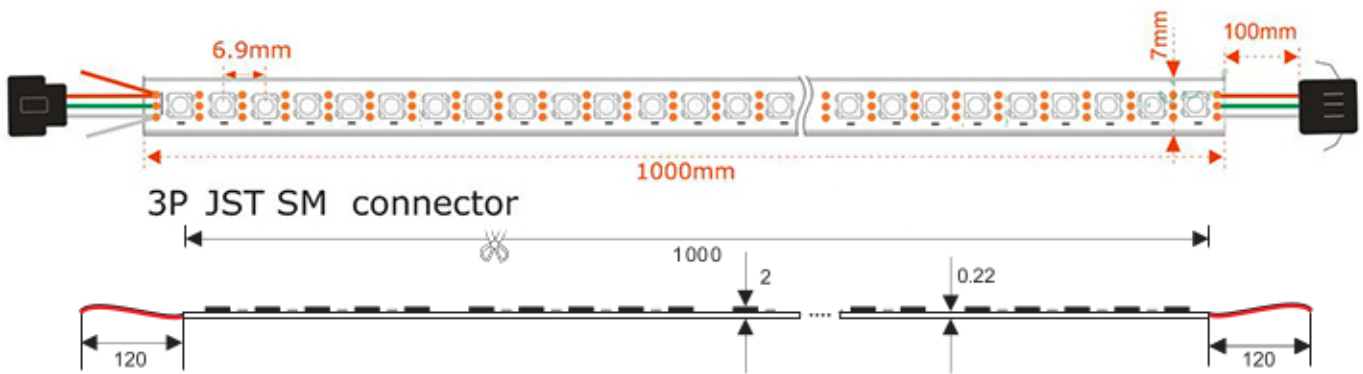
White PCB, DC5V voltage 1 Meters per reel,

Customized sizes are also available 3Pin JST SM

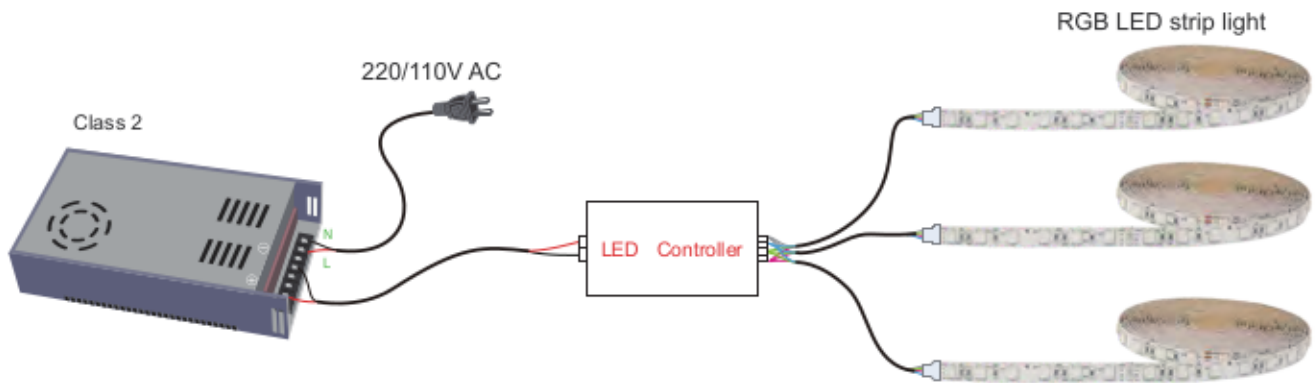
connector, IP65 waterproof by silicon tube housing

## Product Datasheet

Product Number	L008
Light Source	3535 RGB
Beam Angle	120°
LED Quantity	144 leds/m
Wavelength	R:622nm G:520nm B:490nm
Lumens/M	R:188LM G:564LM B:123LM
Cutting unit	6.9 MM
Operating Voltage	DC12V
Power (W)	24 W/M
Size (mm)	L 1000* W 7
IP	IP 20/IP 65
Net Weight	0.14kg/roll
Operation Temperature	- 40 ~ 50 °C



## Connection



### NOTES

- 1 Please apply different IP rate products according to different environment conditions;
- 2 Only install with Class 2 power unit
- 3 Do not install it when power is on. Before powering on, please make sure the wiring is correct;
- 4 Avoiding damaging the circuit or other component on the strip;
- 5 Avoid dragging, do not over bending during installation;
- 6 In order to get the best lighting effect, please do not connect overlong;
- 7 Please do not stare at the light for along time when it is working to protect your eyes;
- 8 Installation required by a qualified electrician
- 9 Supply cable – R/C (AVLV2/8), external use style, rated minimum 300 V, 80 °C, minimum 22AWG

## Product packaging

Product number	Standard length	Quantity / volume	outer carton size	Weight(kg)/reel
L008	1M	120 Reels	L450xW350xH450mm	0.14kg
/				/
/				/
/				/
/				/
/				/