

# 24V Digital RGBW COB LED Strip - 784 LEDs/m

## ◆ Product Description :

This RGBW COB Digital led strip has 784 LEDs & 14Pixels per meter

Each small section 83,3 mm(56LEDs) can be cut off DC24V constant voltage operation

The white color has a standard of 3000K but can also be ordered in 4000K and 6000K

5m per reel, 3M tape is included

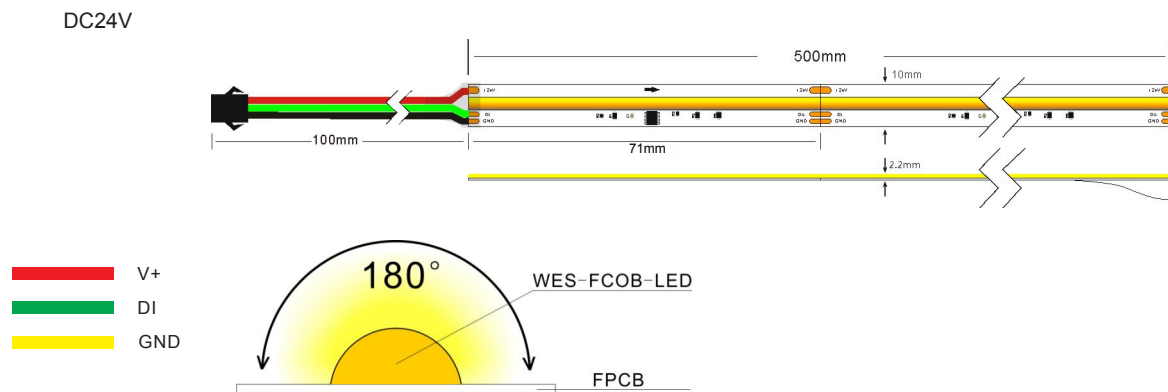
IP Rate can be IP20, IP65



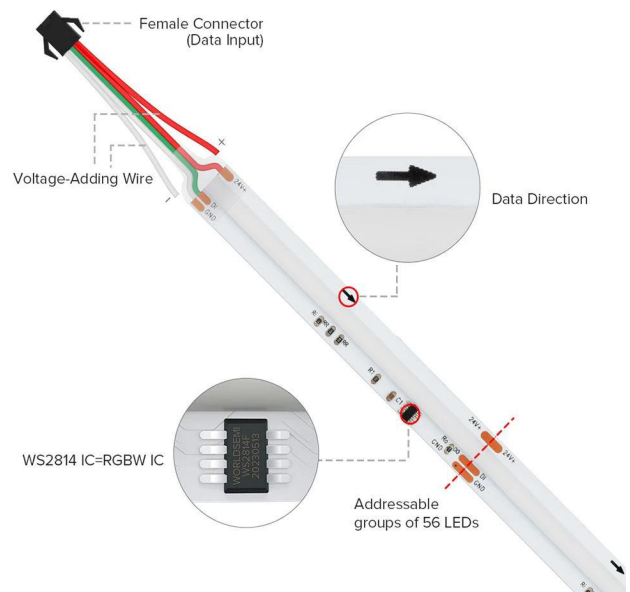
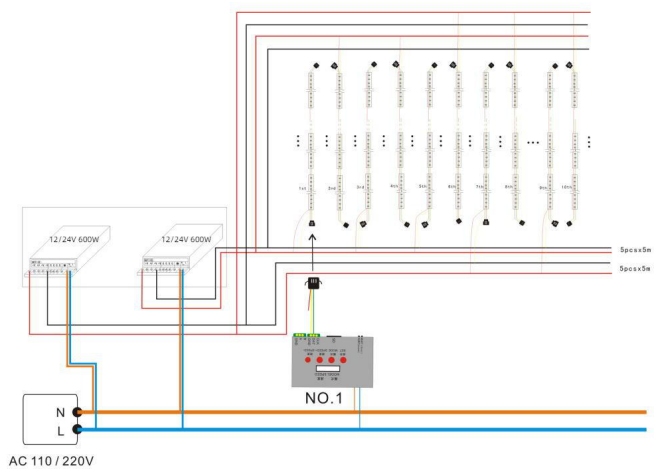
## ◆ Product Datasheet

Product Number	L033	Luminance/M	N/A
Operating Voltage	DC24V	Ra CRI	> 90
Power/M	24 W	Beam Angle	180°
SMD Type	COB	Size (mm)	5000 * 10mm
LED Qty/M	784	IP Rate	IP20/IP65
Color Kelvin	3000/4000/6000 Kelvin	Operation Temperature	- 20 ~ 60 °C
Pixel/M	14	Material	2 OZ PCB
Control	SPI-WS2814	Cutting Length	71mm
Wavelength	N/A	Net Weight/Roll	0.24KG

## ◆ Outline Dimension ( unit : mm )

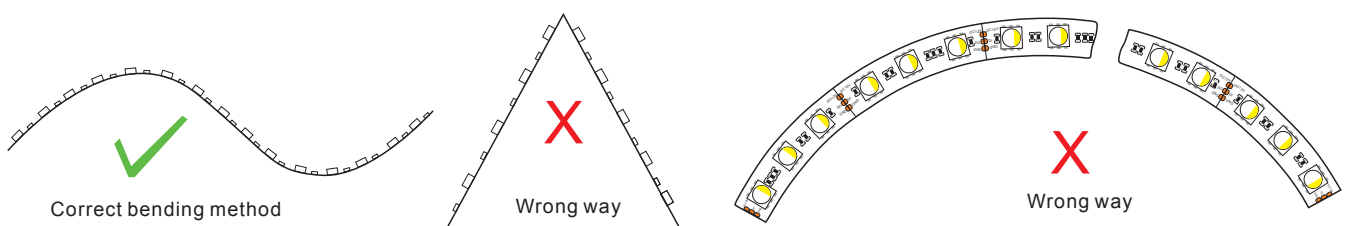


## ◆ Wiring diagram



1. There is a new chip from Worldsemi family for COB pixel rgbw led strip. The WS2814 IC.
2. COB pixel led strip is made by 784LEDS/m(196pcs White,196pcs Red,196pcs Green,196pcs blue) For the white 3000k is standard. 4000k/6000k are also available for custom production.
3. COB 784led pixel strips is with ws2814 chip, 4 channels SPI signal. One meter with 14pcs ws2814 ic chips. Every 71mm can be cut, one ic chip control 56leds).
4. The voltage of COB rgbw pixel led strips is dc24v, 24w/m max.
5. COB rgbw pixel led strips is 3Pin cables, that is 24V+,DAT,GND. Normal 5m/roll with 3Pin JST SM female and male connectors on each roll.
6. 784leds rgbw ws2814 cob led strip is vivid lighting performance operated by SD card controller, Bluetooth/WIFI Arduino, Raspberry Pi , MADRIX software, Art-net / DMX512 /MADRIX NEBULA, Zedfy WLED Controller and other SPI LED Controllers.

## ◆ Schematic diagram of maximum bending prevention



Note: The parameters are subject to change without notice!