

# 24V Digital CCT LED Strip - 576 LEDs/m



## ◆ Product Description :

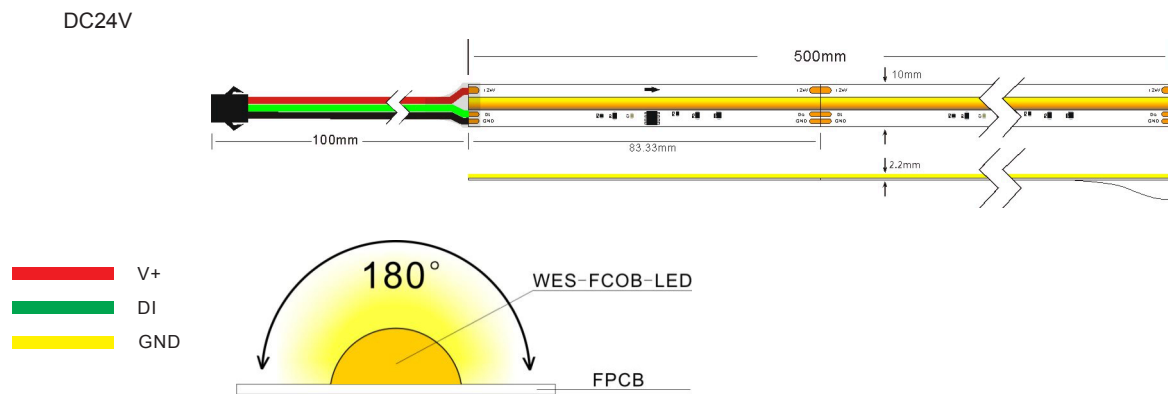
This CCT Digital led strip has 576LEDs & 12Pixels per meter  
 Each small section 83,3 mm(48LEDs) can be cut off  
 DC24V constant voltage operation  
 The CCT of white has a range from warm white 2700K to cool white 6500K  
 5m per reel, 3M tape is included  
 IP Rate can be IP20, IP65



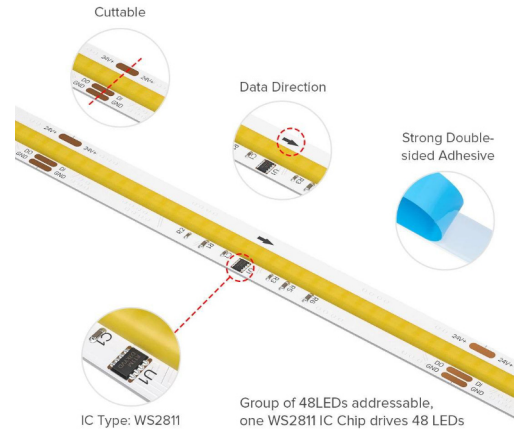
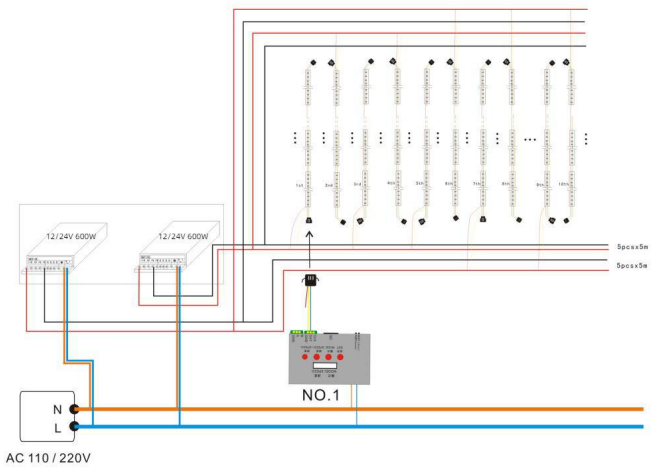
## ◆ Product Datasheet

Product Number	L031	Luminance/M	N/A
Operating Voltage	DC24V	Ra CRI	> 90
Power/M	10 W	Beam Angle	180°
SMD Type	COB	Size (mm)	5000 * 10mm
LED Qty/M	576	IP Rate	IP20/IP65
Color Kelvin	CCT 2700 - 6500 Kelvin	Operation Temperature	- 20 ~ 60 °C
Pixel/M	12	Material	2 OZ PCB
Control	SPI-WS2811/16703	Cutting Length	83,3mm
Wavelength	N/A	Net Weight/Roll	0.24KG

## ◆ Outline Dimension ( unit : mm )

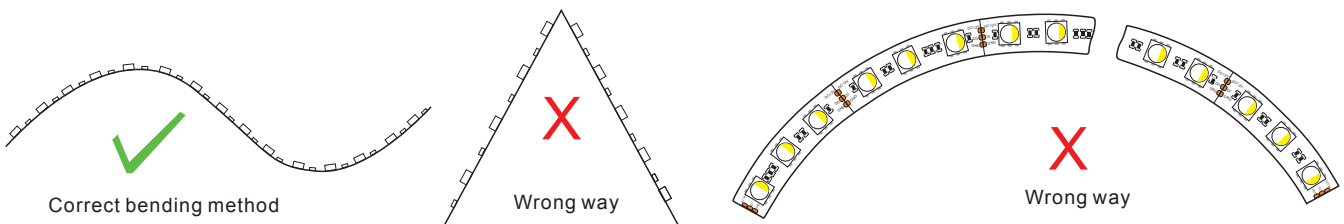


## ◆ Wiring diagram



1. If you want only CCT color strips but with pixel SPI signal also, then use this FCOB SPI CCT led strip
2. COB CCT led strips is with 576leds/m,CCT color with White 2700k+6500k
3. COB 576led strips is with ws2811/16703 chip, change 3 channels with only 2 channels we call them CCT pixel led strip,COB dual white pixel led strip,which you can single color chasing,programmable and dimmable.
4. The voltage of COB dual white pixel led strips is dc24v,10w/m max.
5. COB 576leds pixel led strips is 3Pin cables,that is 24V+,DAT,GND. Normal 5m/roll with 3Pin JST SM female and male connectors on each roll. For the color of connectors can be customers.
6. COB pixel white led strips is with 180degree,high color efficiency,uniform illumination
- 7.576leds COB white 2700k+6500k ws2811 cob led strip is vivid lighting performance operated by SD card controller,Bluetooth/WIFI Arduino, Raspberry Pi , MADRIX software, Art-net / DMX512 /MADRIX NEBULA led controllers.

## ◆ Schematic diagram of maximum bending prevention



Note: The parameters are subject to change without notice!